

### Features

- ✧ Electronically addressed. The address is programmable in field.
- ✧ Built-in microprocessor processes messages intelligently.
- ✧ Monitoring power supply.
- ✧ Fault and action indicators available.
- ✧ Plug-in structure.
- ✧ Standards:UL864, NFPA[70,72]

### Description

I-M9301 Addressable Output Module works in two-wire mode. On receiving start command from the fire alarm control panel (FACP), it will close the output relay to output normally-open normally closed contact signal and illuminate the Active indicator.

### Connection and Cabling

Fig. 1 shows terminals on the module.

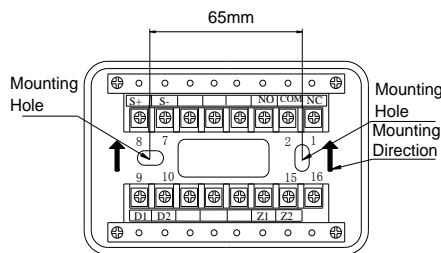


Fig. 1

Z1, Z2: Connecting with loop of FACP, polarity-insensitive.

NC, COM, NO: Normally closed or normally open output terminals.

D1, D2, S+, S-: Reserved.

### Recommended Cabling

17AWG~14AWG (maximum 14AWG) fire cable, subject to local codes.

### Installation

The module is simply plugged onto the base after corresponding terminals are connected (Fig.2).

If the cable conduit is on the surface of the wall, the B-9310 Back Box is available. Note the upward arrow for mounting direction (Fig.1).

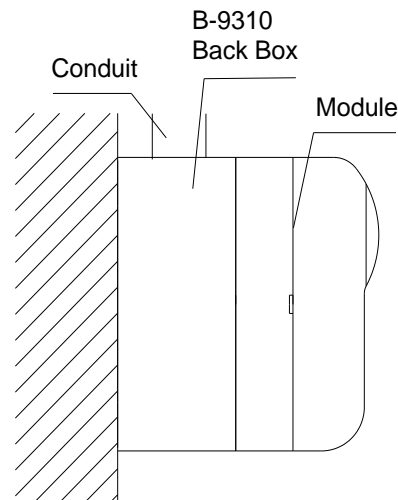
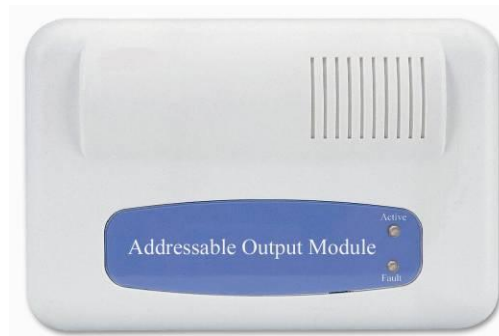


Fig. 2

### Application

The output contacts are used for controlling the shift of power or signal of the fire protection devices.

The address and working mode of the module is programmable by a GST programmer in field. Please refer to *P-9910B Hand Held Programmer Installation and Operation Manual* for details. Factory default working mode is two-wire (programmed to mode "2" using the programmer). System connection is shown in Fig. 3.

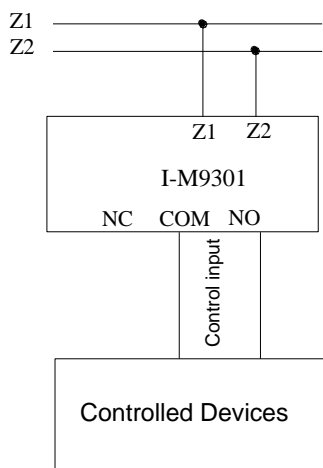


Fig. 3

**Warning:**

- ✧ Please do not connect the contact to AC control loop directly to avoid the module or controlled devices being damaged by strong AC interference signal.
- ✧ This module is not designed to control gas extinguishing devices.

**Accessories and Tools**

Model	Name	Remark
P-9910B	Hand Held Programmer	Order separately
B-9310	Back Box	Order separately

**Specification**

Operating Voltage	Signal Loop 24V(16V~28V)
Standby Current	Loop ≤ 2mA
Action Current	Loop ≤ 3mA
Output Capacity	24VDC/2A
Output Control Type	Relay normally open normally closed volt-free contact output
Programming Method	Electronically addressed
Code Range	One address within 1~242.
Indicators	Active Indicator: Red, flashes when polling. Illuminates in action. Fault Indicator: Yellow, illuminates in fault.
Ingress Protection Rating	IP30
Operating Temperature	0°C ~ +49°C (For indoor use / dry locations)
Relative Humidity	≤ 93%, non condensing
Material of Enclosure	ABS
Dimension (L×W×H)	120mm×80mm×43mm (with base)
Weight	About 194g (with base)

**Limited Warranty**

GST warrants that the product will be free of charge for repairing or replacing from defects in design, materials and workmanship during the warranty period. This warranty shall not apply to any product that is found to have been improperly installed or used in any way not in accordance with the instructions supplied with the product. Anybody, including the agents, distributors or employees, is not in the position to amend the contents of this warranty. Please contact your local distributor for products not covered by this warranty.

This Data Sheet is subject to change without notice. Please contact GST for more information or questions.

**Gulf Security Technology Co., Ltd.**

No. 80, Changjiang East Road, QETDZ, Qinhuangdao, Hebei, P. R. China 066004

Tel: +86 (0) 335 8502434 Fax: +86 (0) 335 8502532

[service.gst@fs.utc.com](mailto:service.gst@fs.utc.com) [www.gst.com.cn](http://www.gst.com.cn)