



### Features

- Dual Action
- Key resettable
- Terminal connectors
- Gold plated SPST contacts
- Optional auxiliary contacts
- High-gloss red enamel finish
- Plastic breakrod
- Meets ADA 5 lb. maximum manual-force
- Mounts on standard single gang box, Mircom's BB-700 surface metal backbox or BB-700WP weather proof backbox

### Description

Mircom's MS-710U Manual Station provides manual fire reporting. This high quality, die-cast metal manual station is a dual action unit with SPST contacts and terminal strip connections. The normally open contact, which closes when the manual station is activated, is rated for 1 amp, 30 VDC. The contacts are gold plated to avoid the risk of corrosion.

The MS-710U is available with a CAT-30 lock and keys and mounts on a standard single gang backbox, Mircom's BB-700 surface metal backbox or BB-700WP weather proof backbox.

The MS-710U Manual Station is listed for outdoor applications when used with the BB-700WP.

### Operation

The MS-710U Dual Action Manual Station is operated by pushing the bar labelled "PUSH BAR" and then pulling down the handle marked "PULL HANDLE". The MS-710U Manual Station is reset by opening the station with the key, placing the handle in the normal upright position and re-locking the station.

### Specifications

The manual station shall be Mircom's MS-710U. Operating instructions shall be in raised English lettering and the unit shall be constructed of high quality die-cast metal and finished in red enamel paint to provide quick identification. Pulling the handle shall initiate immediate operation of the alarm detection circuit. All manual fire alarm stations shall be installed as per the specific requirements outlined in the UL codes, as well as all other applicable national or local codes. Final acceptance is subject to the local authority having jurisdiction.



S7005



S7005



7150-1477:128



313-97-E



## Specifications

**Switch Rating:**

1 Amp @ 30 VDC  
0.1 Amp @ 125 VAC

**Manual Station Dimensions:**

4.9" H x 3.5" W x 2.0" D

**Color:**

Red with raised white letters, white manual bar with raised black letters.

## Surface Mount Backboxes



**BB-700 Surface Mount Backbox**

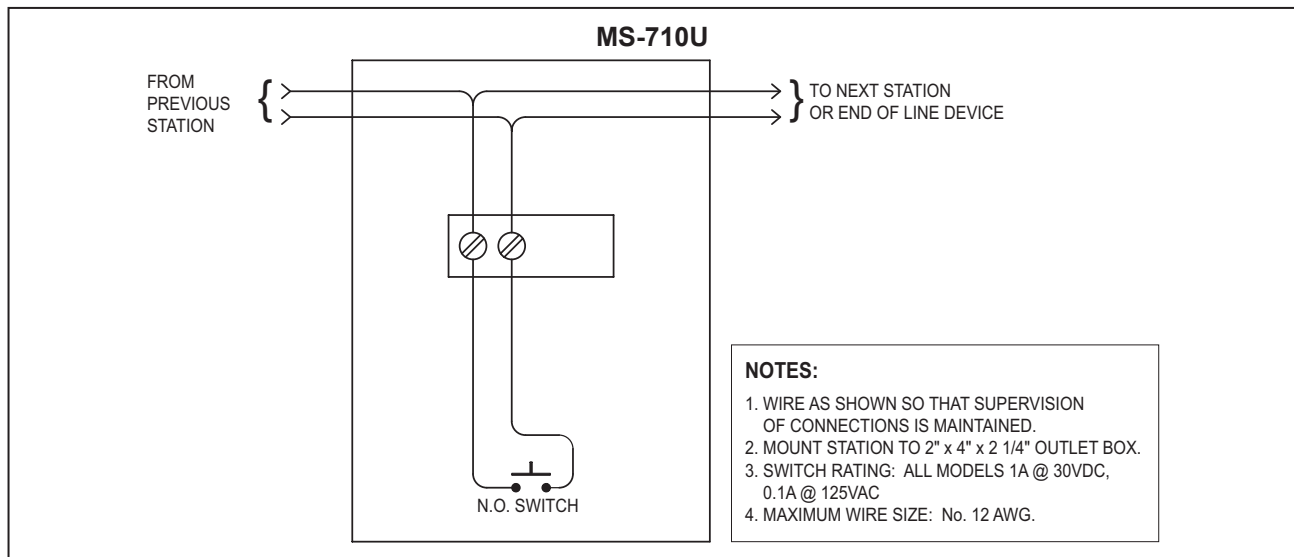
**Dimensions:**  
5" H x 3.6" W x 2.0" D



**BB-700WP Weatherproof Surface Mount Backbox**

**Dimensions:**  
5" H x 3.6" W x 2.2" D

## Typical Wiring Diagram



## Ordering Information

Model	Description
MS-710U	Dual Action Manual Station
BB-700	Series 700 Interior Surface Mount Backbox, Red Finish
BB-700WP	Series 700 Weatherproof Surface Mount Backbox, Red Finish

NOT TO BE USED FOR INSTALLATION PURPOSES.



**Canada**

25 Interchange Way  
Vaughan, Ontario L4K 5W3  
Telephone: (905) 660-4655  
Fax: (905) 660-4113

**U.S.A.**

4575 Witmer Industrial Estates  
Niagara Falls, NY 14305  
Toll Free: (888) 660-4655  
Fax Toll Free: (888) 660-4113

Distributed by:

Web page: <http://www.mircom.com>

Email: [mail@mircom.com](mailto:mail@mircom.com)

ISO 9001:2008  
REGISTERED



CAT. 5157  
Rev. 6